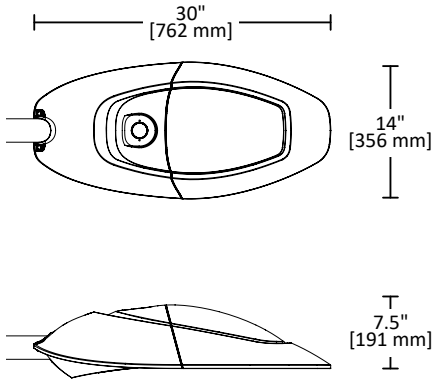




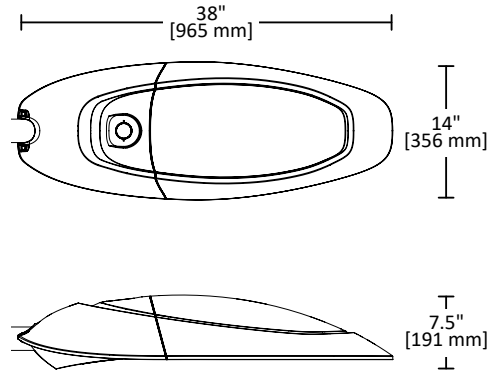
OL30 / OL35

OVAALI

OVAALI



OL30



OL35



Distributions

Type I L1 **Type II** L2 **Type III** L3



Type III L3FL **Type IV** L4 **Type V** L5S



CCT		CRI
3000K	4000K	C70

Characteristics



Sources

Type I-II-III-V

530mA	700mA
18LED05 30W	18LED07 40W
36LED05 60W	36LED07 80W
54LED05 90W	54LED07 120W
72LED 05 120W*	72LED07 160W*
90LED05 150W*	90LED07 200W*
	108LED07 240W*

800mA
108LED08 260W*

Type IV

530mA	700mA
12LED05 20W	12LED07 27W
24LED05 40W	24LED07 54W
36LED05 60W	36LED07 80W
48LED05 80W*	48LED07 107W*
60LED05 100W*	60LED07 134W*
72LED05 120W*	72LED07 160W*

* OL35 only

OL30

- Up to 120W
- Up to 14 000 lumens
- Weight: 25lb - 11.3kg
- EPA: 0.47ft²

Description

The blending clean lines with an elegance that stands the test of time, the OVAALI series is the perfect solution for a truly distinctive look.

Construction

- Aluminum A380
- Minimum wall thickness of 0.125" [3mm]
- Stainless steel hardware
- To be installed on an arm 1.66" to 2.375" [42mm to 60mm] outside diameter, min. length of 7" [178mm]
- Tilt: -5° to 5°

Optical system

- Patented aluminum heat sink (US 10,260,729 B2)
- High intensity white light emitting diodes (LED)
- IP66

Driver

- Constant current Class 2, -40°C [-40°F] à 80°C [176°F], PF 0,99, 0-10V, 120 to 277V / 347 - 480V.
- Option PRG: Programmable Driver (Consult factory for scenario options)

Voltage

120 - 208 - 240 - 277 - 347 - 480

Finish

- **PlafORIZATION** (All metallic parts are pretreated using an environmentally friendly organic phosphating technology)
- Polyester powder coating
- Minimum thickness of 100 microns
- Meet ASTM B117 standard practice for salt spray test
- Meet ASTM D2247 testing water resistance of coatings in 100% relative humidity

Available options

- **RCD-DOF** Internal DimOnOff light control system C/W antenna (software not included)
- **HSS** House side shield (internal)
- **SGP** Surge protector 10kV or 20kV
- **PRG** Programmable driver
- **TRP7** 7 pins twist lock photocell receptacle (ANSI C136.41) C/W shorting cap
- **TRP** 7 pins twist lock photocell receptacle (ANSI C136.41) C/W photocell
- **PER** Twist lock photocell receptacle (ANSI C136.41)

Date _____

City _____

Project name _____

Type _____

Qty. _____



Color chart



IES files



Photometric chart



Options datasheet

OVAALI

Product code	Source	Voltage	Distribution	CCT	Options	Color
OL30	Type I-II-III-V	120	L1	30K	*See options below*	*see color chart*
OL35	18LED05 30W	208	L2B	40K		
	36LED05 60W	240	L3			
	54LED05 90W	277	L3FL			
	72LED05 120W*	347	L4			
	90LED05 150W*	480	L5			
	18LED07 40W					
	36LED07 80W					
	54LED07 120W*					
	72LED07 160W*					
	90LED07 200W*					
	108LED07 240W*					
	108LED08 260W*					
	Type IV*					
	12LED05 20W					
	24LED05 40W					
	36LED05 60W					
	48LED05 80W*					
	60LED05 100W*					
	72LED05 120W*					
	12LED07 27W					
	24LED07 54W					
	36LED07 80W					
	48LED07 107W*					
	60LED07 134W*					
	72LED07 160W*					

* OL35 only

Code example: OL30 36LED07 80W 120 L3 40K TRP7 SG

Communication node	House side shield	Surge protector	Programmable driver	Photocell
RCD-DOF DIMONOFF + ANTENNA	HSS	SGP-10 (120-277V) SGP-20 (120-277V) SGP-10HV (347-480V) SGP-20HV (347-480V)	PRG	TRP7 TRP PER

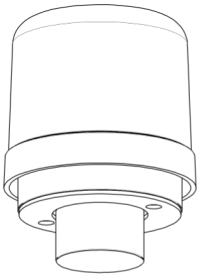
- **RCD-DOF** Internal DimOnOff light control system C/W antenna (software not included)
- **HSS** House side shield (internal)
- **SGP** Surge protector 10kV or 20kV
- **PRG** Programmable driver (consult factory for scenario options)

- **TRP7** 7 pins twist lock photocell receptacle (ANSI C136.41) C/W shorting cap
- **TRP** 7 pins twist lock photocell receptacle (ANSI C136.41) C/W photocell
- **PER** Twist lock photocell receptacle (ANSI C136.41)

LUMINAIRE OPTIONS

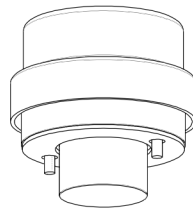
TRP

7 pins twist lock photocell receptacle C/W photocell.



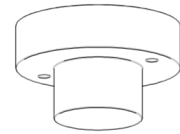
TRP7

7 pins twist lock photocell receptacle C/W shorting cap.



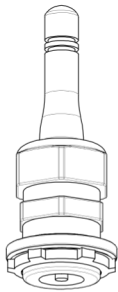
PER

Twist lock photocell receptacle only.



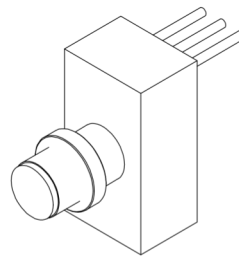
RCD-DOF

Remote controlled dimmer (Software not included).



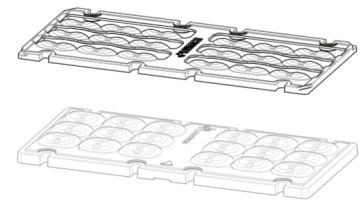
BTP

Button type photocell



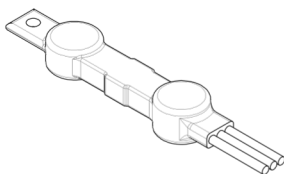
HSS

House side shield. (Directly mounted on optical lens)



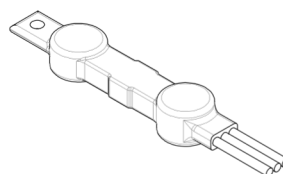
SGP-10

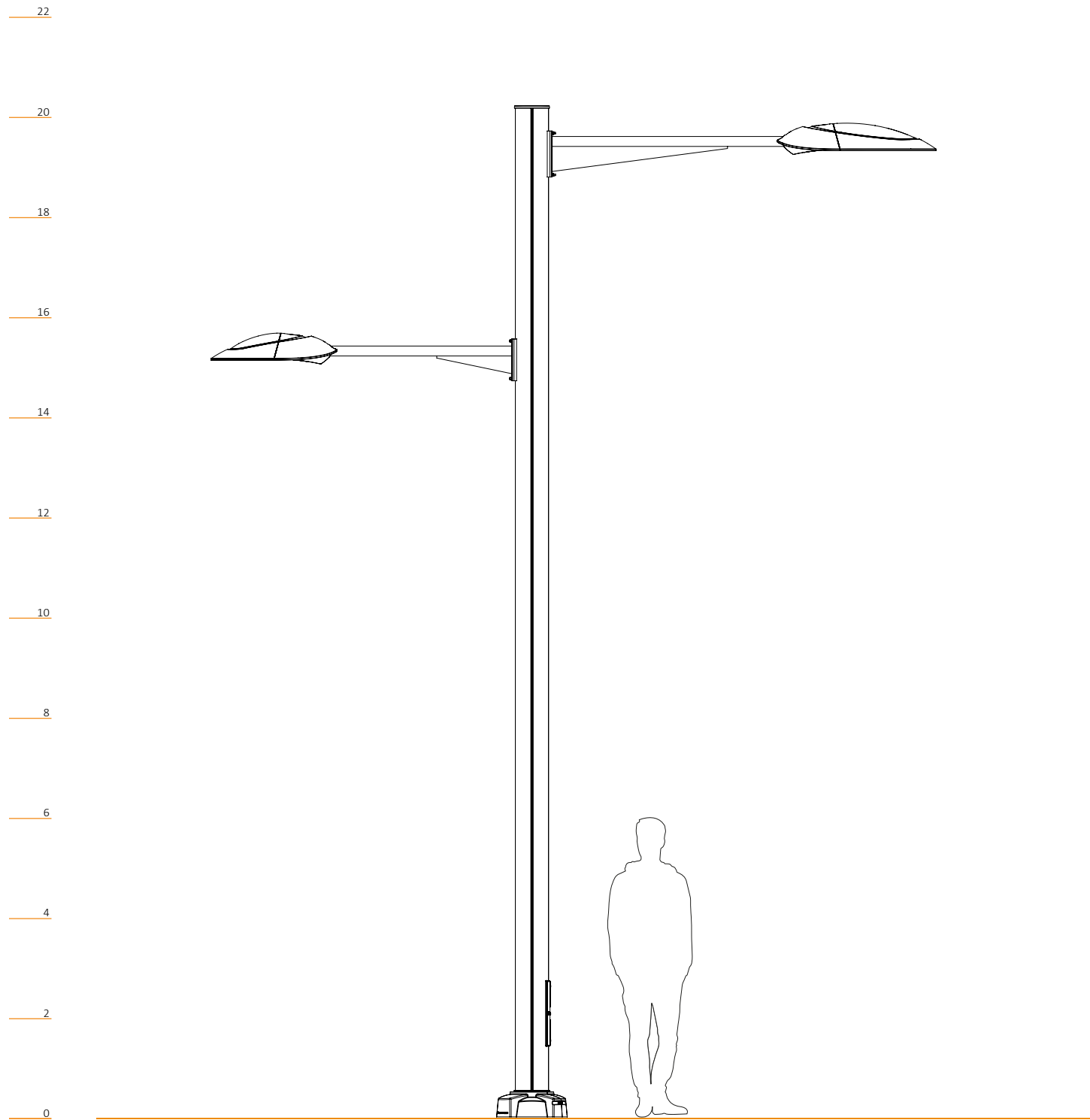
10 KV Surge protection
Also available SGP-10HV (for Hight voltage, 347-480V)



SGP-20

20 KV Surge protection
Also available SGP-20HV (for Hight voltage, 347-480V)





Luminaire: OL35-OL30
Mounting arms: LF-CF71, LF-CF70
Pole: LF08-20
Base cover: WB18-8