



Date

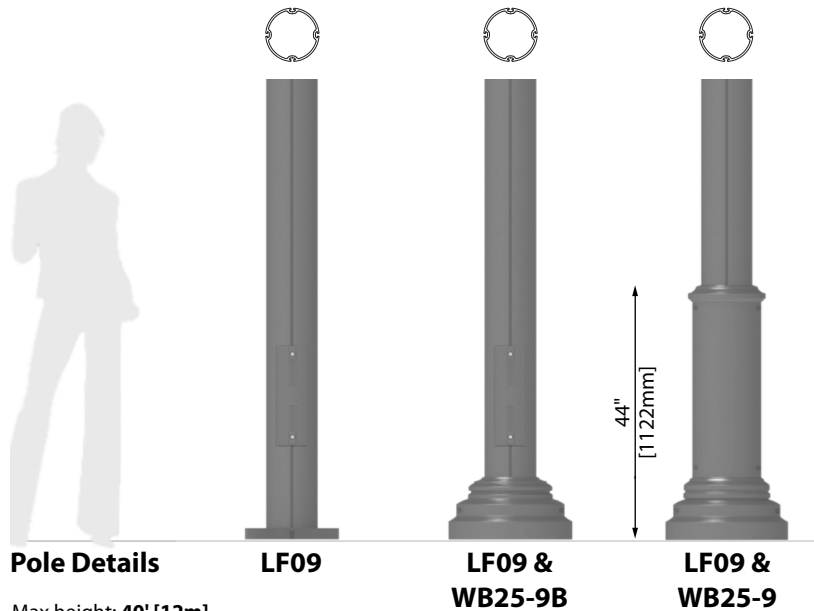
City / Location

Project name

Type

QTY

Aluminium rail poles c/w two-piece base covers.



Pole Details

LF09

LF09 &
WB25-9B

LF09 &
WB25-9

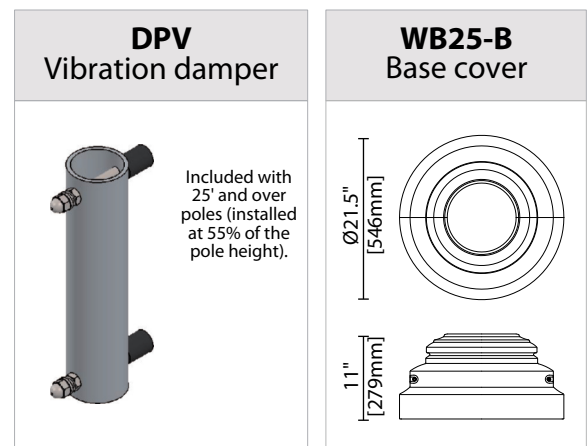
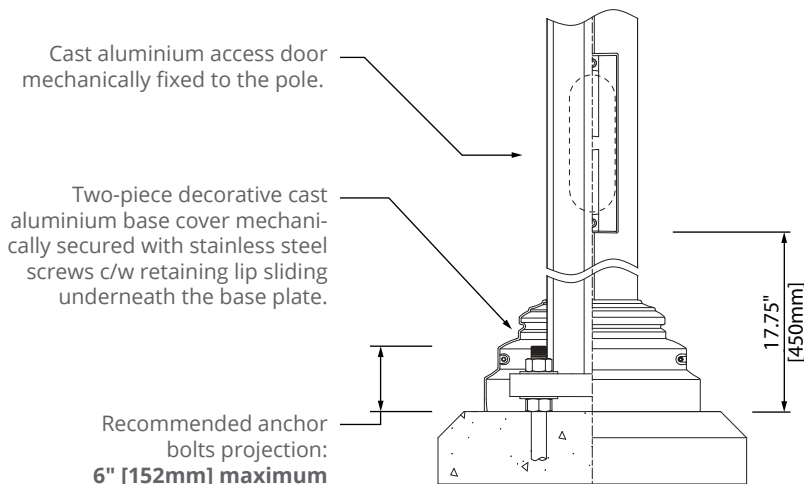
Max height: 40' [12m]

DESCRIPTION

The rail system of the LumFix allows adjustable height for multiple accessories. It eliminates primitive straps that can damage the surfaces and restores the aesthetic appearance of a decorative urban pole. Using standard hardware, this unique versatile system has been design to install accessories quickly and securely.

CONSTRUCTION

- Cast aluminium: 356.1
- Extruded aluminium: 6061-T6 alloy.
- Ø9" [228mm] extruded aluminium tube.
- Wall thickness: 0.343" [8.7mm]
- Access door: 15.75" [400mm] x 4.75" [121mm] sealed cast aluminium access door with anti theft screws.
- Laser cut aluminum anchor base plate welded inside and outside the perimeter of the tube.
- Two-pieces (WB25-B) or four-pieces (WB25) cast aluminium base cover (optional) held captive by the anchor base plate.
- Aluminum ground lug.
- Stainless steel hardware.
- All metallic parts are pretreated using an environmentally friendly organic phosphating technology (PLAFORIZATION) before a polyester powder coating is electrostatically applied.
- Four (4) galvanized steel 1½-6×36" anchor bolts with eight (8) washers and nuts (21.5 lb [9.75 kg] per bolt).



Ordering example: LF09-40 WB25-9 BK

Pole	Height i	Base Cover	Color	Options i	Anchor Bolts
					<input type="checkbox"/> Supplied by LUMCA <input type="checkbox"/> Supplied by others <input type="checkbox"/> Existing
Bolt circle Ø 15" [381mm] (Bolt Ø1½" only)					

Lumca reserves the right to modify the elements on this technical data sheet without prior notice.

Click on i for more information



LF09 round aluminium pole

catalog #	HEIGHT		WALL		WEIGHT		MAX EPA (ft²)* as per AASHTO LRFDLTS-1											
	ft	m	in	mm	lbs	kg	Wind (mph)											
							70	80	90	100	110	120	130	140	150	160	170	
LF09-20	20	6.10	0.343	8.7	251	114	85.60	72.37	72.37	72.37	72.37	72.37	61.87	52.69	45.32	39.31	34.35	30.21
LF09-22	22	6.71	0.343	8.7	277	125	68.26	57.71	57.71	57.71	57.71	57.71	53.43	45.40	38.97	33.72	29.39	25.78
LF09-24	24	7.32	0.343	8.7	302	137	55.30	46.70	46.70	46.70	46.70	46.70	46.54	39.48	33.81	29.18	25.36	22.17
LF09-26	26	7.92	0.343	8.7	327	148	45.32	38.21	38.21	38.21	38.21	38.21	38.21	34.58	29.53	25.40	22.00	19.15
LF09-28	28	8.53	0.343	8.7	352	160	37.46	31.53	31.53	31.53	31.53	31.53	31.53	30.44	25.90	22.20	19.14	16.58
LF09-30	30	9.14	0.343	8.7	377	171	31.15	26.16	26.16	26.16	26.16	26.16	26.16	26.16	22.78	19.43	16.67	14.35
LF09-32	32	9.75	0.343	8.7	402	182	26.00	21.77	21.77	21.77	21.77	21.77	21.77	21.77	20.06	17.02	14.50	12.38
LF09-34	34	10.36	0.343	8.7	427	194	21.73	18.14	18.14	18.14	18.14	18.14	18.14	18.14	17.65	14.87	12.58	10.65
LF09-36	36	10.97	0.343	8.7	453	205	18.14	15.08	15.08	15.08	15.08	15.08	15.08	15.08	15.08	12.95	10.85	9.09
LF09-38	38	11.58	0.343	8.7	478	217	15.09	12.48	12.48	12.48	12.48	12.48	12.48	12.48	12.48	11.22	9.28	7.66
LF09-40	40	12.19	0.343	8.7	503	228	12.47	10.24	10.24	10.24	10.24	10.24	10.24	10.24	10.24	9.63	7.85	6.36

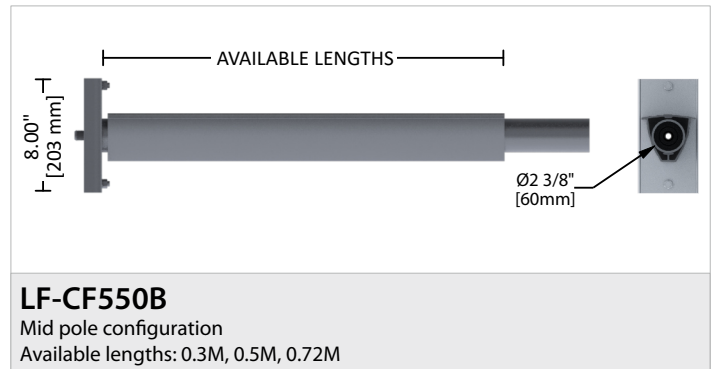
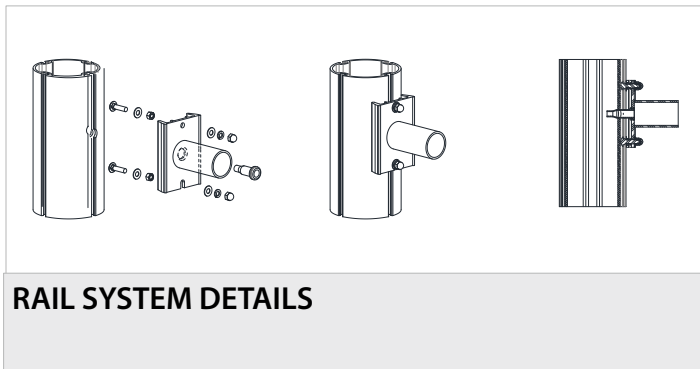
CHART VALUES REPRESENTING MINIMUM BETWEEN SERVICEABILITY & ULTIMATE

MAX EPA computed at top of pole (HEIGHT) w/r to ground level at base.

* Including a gust effect factor of 1.14 as per LRFDLTS-1 art. 3.8.6

NOTE: This EPA chart is for reference only. The maximum EPA may vary depending on the positioning of special equipment required. Please consult factory for evaluation.

Mounting arm



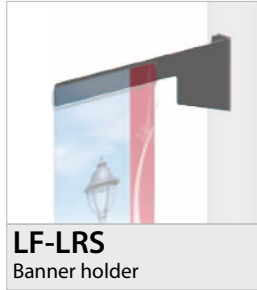
Lumca reserves the right to modify the elements on this technical data sheet without prior notice.



LF-BR
Bike rack



LF-BH
Basket hanger



LF-LRS
Banner holder



LF-SH
Street sign holder



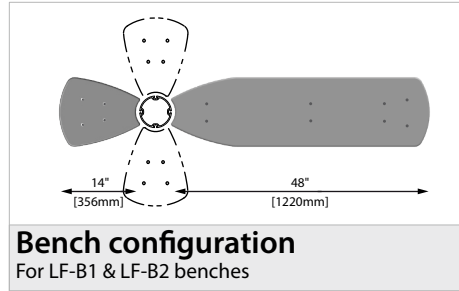
**HEIGHT ADJUSTABLE
ATTACHMENT FOR
ACCESSORIES**



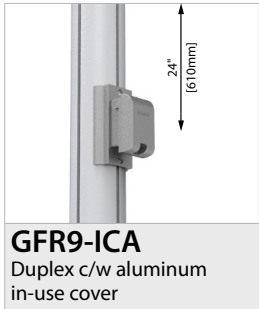
LF-B1
Single bench



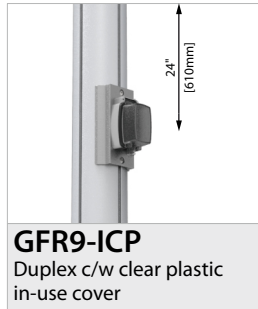
LF-B2
Double bench



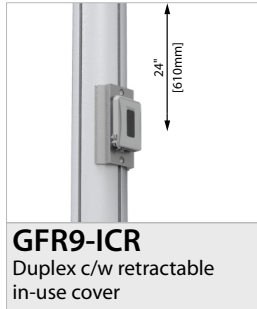
Bench configuration
For LF-B1 & LF-B2 benches



GFR9-ICA
Duplex c/w aluminum
in-use cover



GFR9-ICP
Duplex c/w clear plastic
in-use cover



GFR9-ICR
Duplex c/w retractable
in-use cover



PWL
Pedestrian LED access door

160° beam
800 lumens



LF9-FIL*
Catenary wires holder

*Consult factory, structural validation required

Lumca reserves the right to modify the elements on this technical data sheet without prior notice.