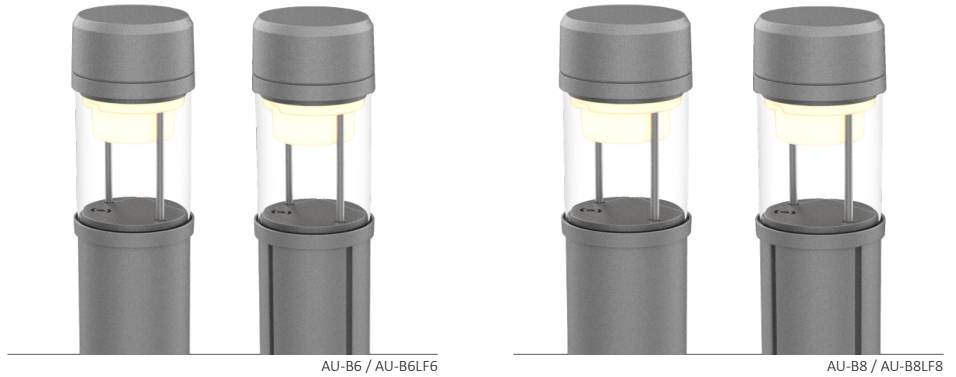




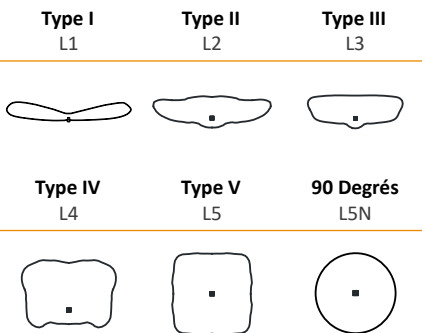
AU-B6 / AU-B6LF6 / AU-B8 / AU-B8LF8

AURA BOLLARDS





Distribution



CCT		CRI
3000K	4000K	C80

Features



Source

Type I-II-III-IV-V	
300mA	530mA
28LED 03 30W	28LED 05 50W
700mA	
28LED 07 65W	

AU-B6 & AU-B8

- Up to 6 000 lumens
- Up to 110 Lumens/Watt

Description

AURA is a new generation of outdoor lighting solutions for cities that defies convention. Imagine being able to take advantage of the design flexibility, energy savings and lifespan of LED lighting while offering the warm ambience of traditional lighting

Construction

- Aluminum A356
- Minimum wall thickness of 0,125" [3 mm]
- Stainless steel hardware

Optical system

- Optical system in acrylic
- Anti glare lens
- Aluminum heat sink dissipator
- High intensity white light emitting diodes (LED)
- IP66

Driver

- Constant current, -40°C [-40°F] to 80°C [176°F], PF 0,99, 0-10V, 120 to 277V / 347 à 480V.
- Programmable driver (PRG)
- Stainless steel hardware

Volts

120 - 208 - 240 - 240 - 277 - 347 - 480

Finish

- Plaforization** (All metallic parts are pretreated using an environmentally friendly organic phosphating technology)
- Polyester powder coating**
- Minimum thickness of 100 microns
- Meet ASTM B117 standards
- Meet ASTM D2247 standards

Availables options

- RCD-DOF** Communication Node DIMONOFF + ANTENNA
- MOD-DOF** RGBW Communication Node DIMONOFF + ANTENNA
- HSS** House side shield on optic
- SGP** Surge protector

RGBW

- Up to 3000 Lumens
- Up to 100 Lumens/Watt
- Type 5 distribution
- 3000k and 4000k
- CRI: 80

AU-B6



AU-B6
Flush mount

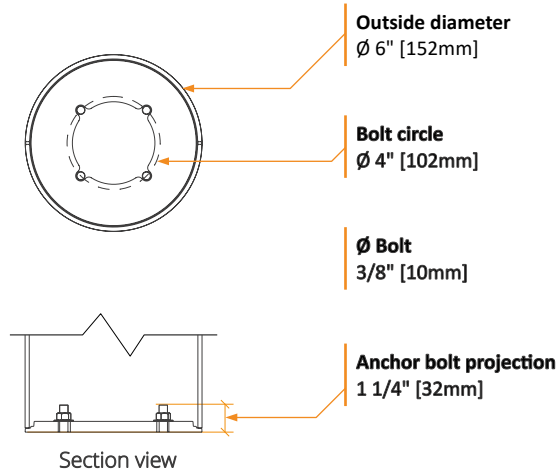
AU-B6-WB
Anchor plate cover

AU-B6LF6
Flush mount

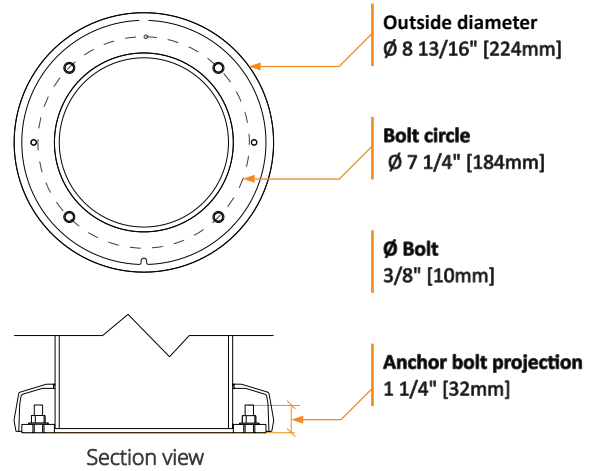
AU-B6LF6-WB
Anchor plate cover

BOLLARD HEIGHT
40" [1016mm]

ANCHOR BASE PLATE AU-B6 / AU-B6LF6



ANCHOR BASE PLATE AU-B6-WB / AU-B6LF6-WB



RGBW LIGHT ENGINE

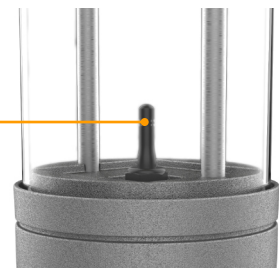
- Up to 3000 Lumens
- Up to 100 Lumens/Watt
- Type 5 Distribution
- 3000k et 4000k
- CRI: 80



Performanche based on white spectrum only

EMBEDDED LIGHT CONTROL

Discreet antenna
RCD-DOF
MOD-DOF

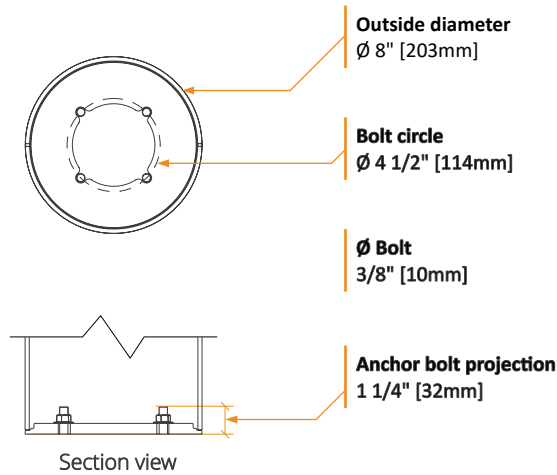


AU-B8

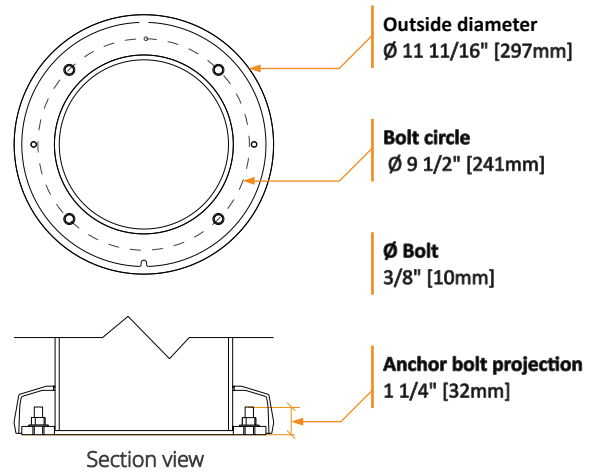


BOLLARD HEIGHT
42" [1067mm]

ANCHOR BASE PLATE AU-B8 / AU-B8LF8



ANCHOR BASE PLATE AU-B8-WB / AU-B8LF8-WB



RGBW LIGHT ENGINE

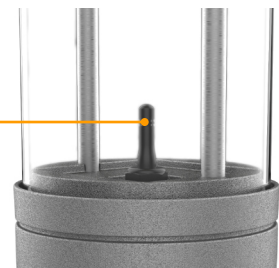
- Up to 3000 Lumens
- Up to 100 Lumens/Watt
- Type 5 Distribution
- 3000k et 4000k
- CRI: 80



Performanche based on white spectrum only

EMBEDDED LIGHT CONTROL

Discreet antenna
RCD-DOF
MOD-DOF



Date

City

Project name

Type

Qty.



Color charts



IES files



Photometrics chart



Options datasheet

AU-B6

Product code	Source	Volts	Distribution	CCT	Color	Communication node	Surge protector	Anchor bolts
AU-B6	28LED30W-350mA	120	L1	3000K C80	*see color chart*	RCD-DOF	SGP-10	Supplied by Lumca Supplied by others Existing
AU-B6-WB	28LED50W-500mA	208	L2B	4000K C80		DIMONOFF + ANTENNA	SGP-20	
AU-B6LF6	28LED65W-700mA	240	L3	3000K (RGBW) ¹		MOD-DOF ¹	SGP-10HV	
AU-B6-WBLF6	RGBW ¹	277	L4	4000K (RGBW) ¹		DIMONOFF RGBW + ANTENNA	SGP-20HV	
		347	L5 ¹					
		480	L5N					

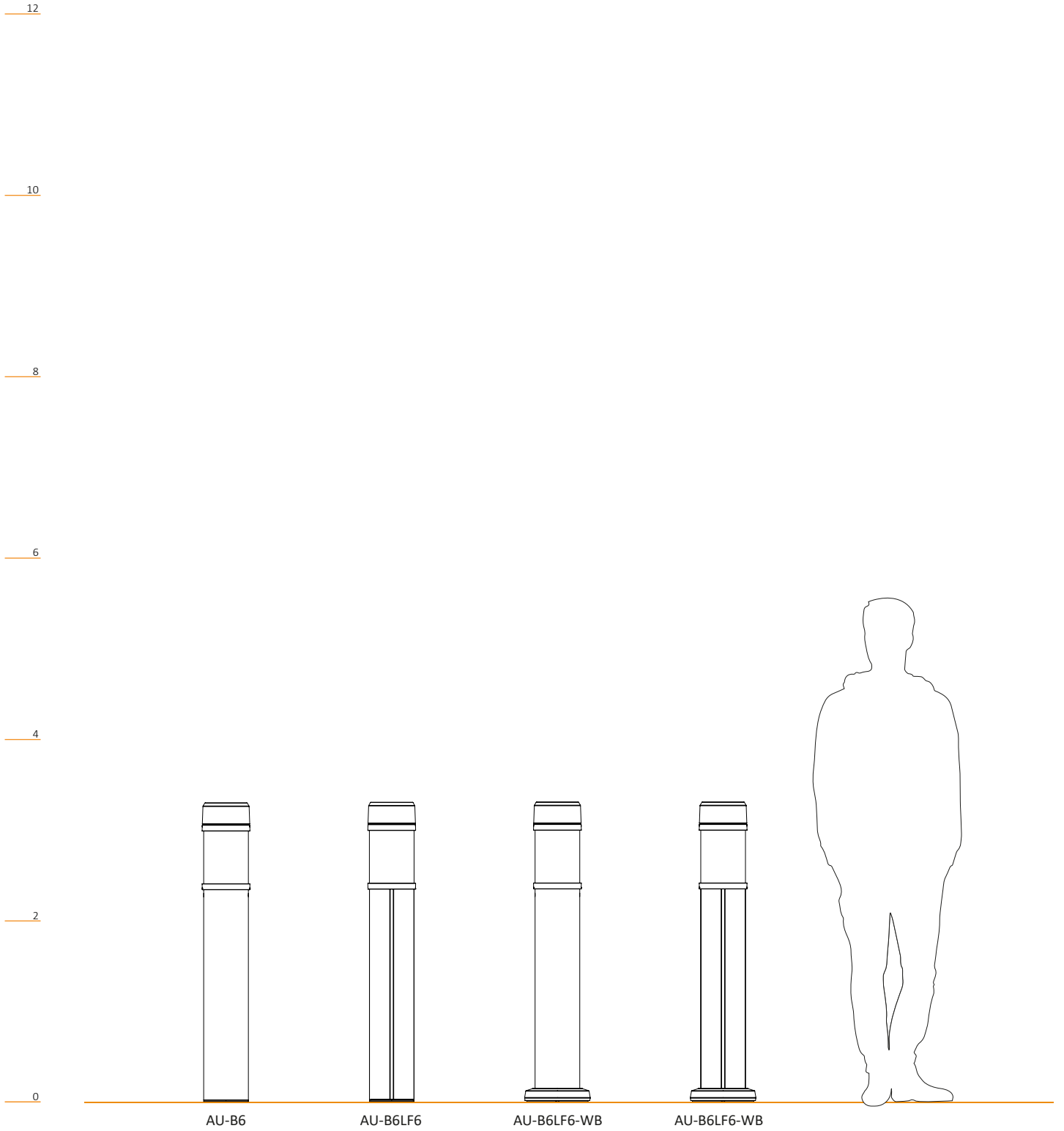
AU-B8

Product code	Source	Volts	Distribution	CCT	Color	Communication node	Surge protector	Anchor bolts
AU-B8	28LED30W-350mA	120	L1	3000K C80	*see color chart*	RCD-DOF	SGP-10	Supplied by Lumca Supplied by others Existing
AU-B8-WB	28LED50W-500mA	208	L2B	4000K C80		DIMONOFF + ANTENNA	SGP-20	
AU-B8LF6	28LED65W-700mA	240	L3	3000K (RGBW) ¹		MOD-DOF ¹	SGP-10HV	
AU-B8-WBLF6	RGBW ¹	277	L4	4000K (RGBW) ¹		DIMONOFF RGBW + ANTENNA	SGP-20HV	
		347	L5 ¹					
		480	L5N					

Code example: AU-B6LF6-WB 28LED03 30W 120V L5N 30KC80 SG

Notes

1. Only available options for RGBW



12

10

8

6

4

2

0

