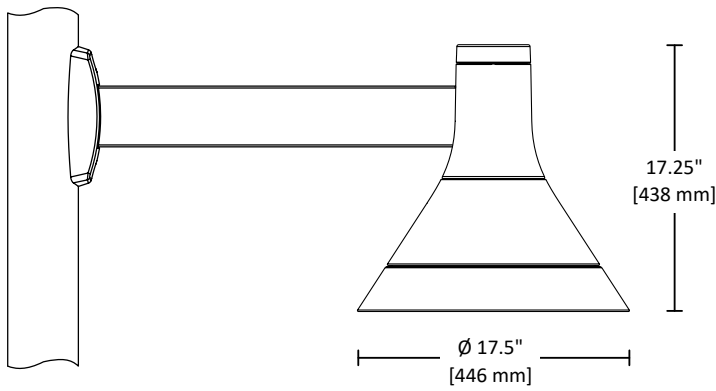




URBAN-COZY LIGHTING



LIGHTING
DESIGN
AWARDS



LIO-S SM-A CF80-24



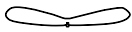
LIO-S
Ø 17.5"
[446 mm]

LIO-M
Ø 21.8"
[554 mm]

LIO-L
Ø 28.2"
[716 mm]

Distributions

Type I
L1



Type II
L2B



Type III
L3



Type III
L3FL



Type IV
L4



Type V
L5



CCT

3000K 4000K

CRI

C70
C80

Characteristics



Sources

Type I-II-III-V

350mA	530mA	700mA
18LED03 20W	18LED05 30W	18LED07 40W
36LED03 40W	36LED05 60W	36LED07 80W

Type IV

350mA	530mA	700mA
12LED03 13W	12LED05 20W	12LED07 27W
24LED03 27W	24LED05 40W	24LED07 54W

LIO-S SM-A

- Up to 80W
- Up to 10 000 lumens
- Weight: 18.2lb - 8.3kg
- EPA: 0.87 ft²

Description

The LIO line of outdoor lighting products draws its inspiration from the clean, simple lines and comforting, enveloping light renderings found in interior fixtures, from which it takes its name **L**ighting **I**nside **O**ut.

Construction

- Aluminum A356
- Minimum wall thickness of 0.188" [4.8 mm]
- Stainless steel hardware

Optical system

- Clear tempered glass or frosted tempered glass lens
- Aluminum heat sink dissipator
- High intensity white light emitting diodes (LED)
- IP66

Driver

- Constant current, -40°C [-40°F] to 80°C [176°F], PF 0,99, 0-10V, 120 to 277V / 347 - 480V.
- Option PRG: Programmable Driver (Consult factory for scenario options)

Voltage

120 - 208 - 240 - 277 - 347 - 480

Finish

- **PlafORIZATION** (All metallic parts are pretreated using an environmentally friendly organic phosphating technology)
- Polyester powder coating
- Minimum thickness of 100 microns
- Meet ASTM B117 standards
- Meet ASTM D2247 standards

Available options

- **RCD-DOF** Internal DimOnOff light control system C/W antenna (software not included)
- **HSS** House side shield (internal)
- **SGP** Surge protector 10kV or 20kV
- **PRG** Programmable driver
- **BTP** Button type photocell
- **TRP7** 7 pins twist lock photocell receptacle (ANSI C136.41) C/W shorting cap
- **TRP** 7 pins twist lock photocell receptacle (ANSI C136.41) C/W photocell
- **PER** Twist lock photocell receptacle (ANSI C136.41)

Date _____

City _____

Project name _____

Type _____

Qty. _____



Color charts



IES files



Photometrics chart



Options datasheet

Product code	Tenon	Lens	Louver type	Source	Voltage	Distribution	CCT	Options	Color	Louver Color
LIO-S (Small)	SM-A	04 Clear	01	Type I-II-III-V	120	L1	30K	*See options below*	*see color chart*	LV- *See color chart*
				18LED03 20W	208	L2B	30KC80			
		36LED03 40W		240	L3	40K				
				277	L3FL	40KC80				
		18LED05 30W		347	L4					
		36LED05 60W		480	L5					
		18LED07 40W								
		36LED07 80W								
		Type IV								
		12LED03 13W								
		24LED03 27W								
		12LED05 20W								
		24LED05 40W								
		12LED07 27W								
24LED07 54W										

Code example: LIO-S SM-A 0401 36LED07 80W 120V L3FL 40KC80 SG LV-BK


CLICK HERE TO SELECT YOUR MANDATORY ARM

Communication node	House side shield	Surge protector	Programmable driver	Photocell
RCD-DOF DIMONOFF + ANTENNA	HSS	SGP-10 (120-277V) SGP-20 (120-277V) SGP-10HV (347-480V) SGP-20HV (347-480V)	PRG	TRP7 TRP PER BTP

- **RCD-DOF** Internal DimOnOff light control system C/W antenna (software not included)
- **HSS** House side shield (internal, field installable)
- **SGP** Surge protector 10kV or 20kV
- **PRG** Programmable driver (consult factory for scenario options)

- **BTP** Button type photocell
- **TRP7** 7 pins twist lock photocell receptacle (ANSI C136.41) C/W shorting cap
- **TRP** 7 pins twist lock photocell receptacle (ANSI C136.41) C/W photocell
- **PER** Twist lock photocell receptacle (ANSI C136.41)

Mounting arms

(Mandatory with fixture)

Construction

- Aluminum A356
- Aluminum A6063-T5
- Minimum wall thickness is 0.197" [5 mm]
- Extruded aluminum 2" [51 mm] x 4" [102 mm], welded to the anchor base

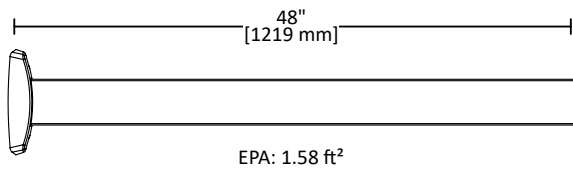
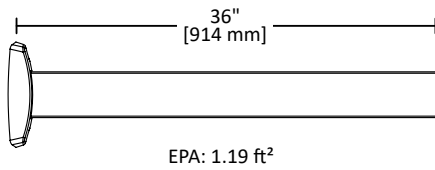
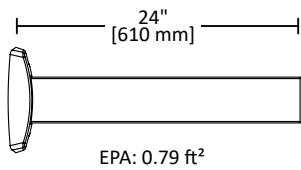
Finish

- **Plaforization** (All metallic parts are pretreated using an environmentally friendly organic phosphating technology)
- **Polyester powder coating**
- 100 microns minimal thickness finish
- Meet ASTM B117 standards
- Meet ASTM D2247 standards

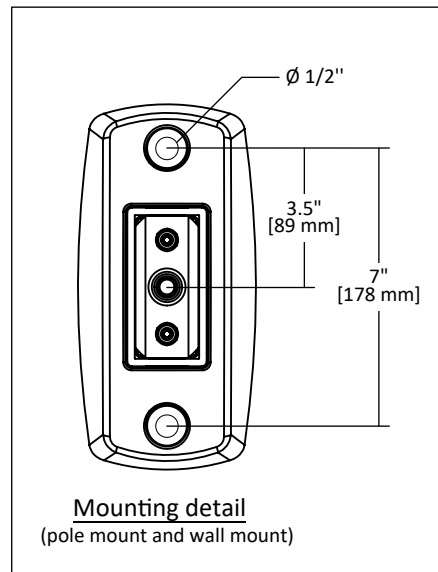
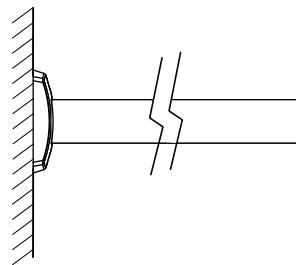
Mounting types

- LFX:**
- Fits on a $\varnothing 6"$ [152 mm] (LF6), $\varnothing 8"$ [203 mm] (LF8), $\varnothing 9"$ [229 mm] (LF9) O.D. rail pole
- PMX:**
- Fits on a $\varnothing 4"$ [102 mm] (PM4), $\varnothing 5"$ [127 mm] (PM5) O.D. round pole
- MA:**
- Wall mount (MA)

Pole mount

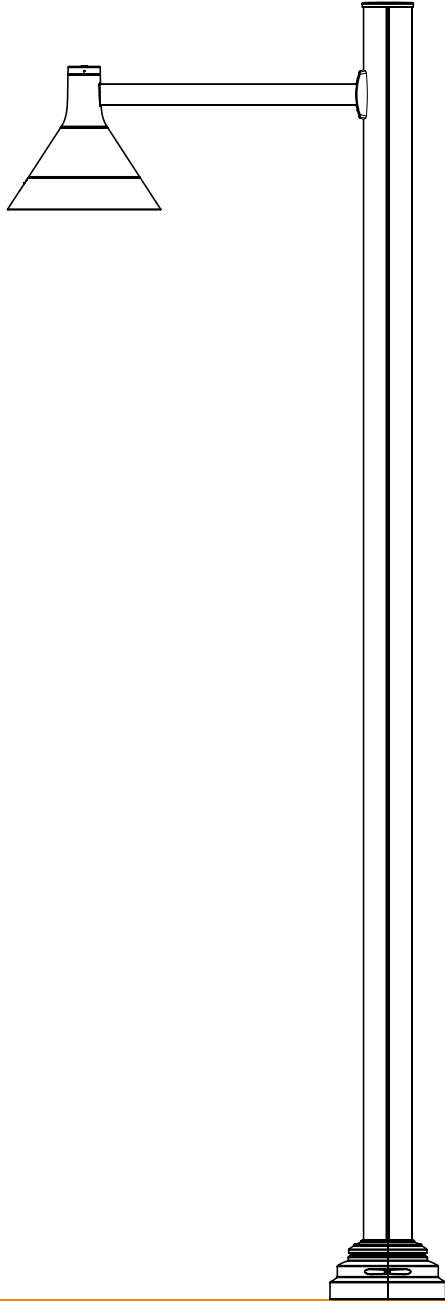


Wall mount

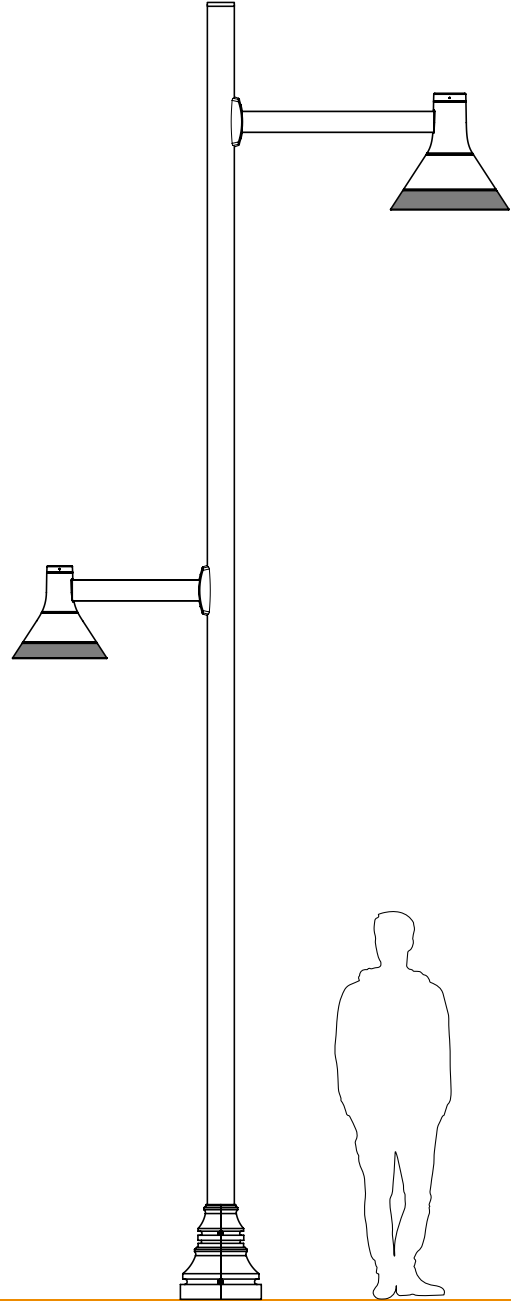


Mounting type	Product code	Length	Color
LF6 LF8 LF9 (Rail pole)	CF80	24	*see color chart*
PM4 PM5 (Round pole)		36	
MA (Wall mount)		48	

Code example: LF6-CF80-36 AG



Luminaire: LIO-L SM-A
 Mounting arms (mandatory): LF9-CF80-48
 Pole: LF09-20
 Base cover: WB25-9B



Luminaire: LIO-M, LIO-S SM-A
 (Optional painted louver: LV-XX)
 Mounting arms (mandatory): PM5-CF80-36, PM5-CF80-24
 Pole: AP05-HD20
 Base cover: WB9-5